

## Wall mounted ASA closed bowl eye wash with integral handheld shower

STD-25K

This wall mounted eye/face wash is manufactured from ASA making it strong, durable and resistant to rust.

For areas where low water pressure is an issue, modified diffusers can be fitted to ensure a perfect water flow is sustained.

The integral handheld eye, face and body shower is ideal to wash specific areas of the body that have been subject to a chemical splash or spill, providing 8 litres per minute of flushing fluid.



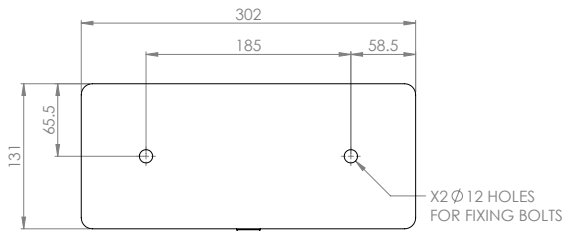
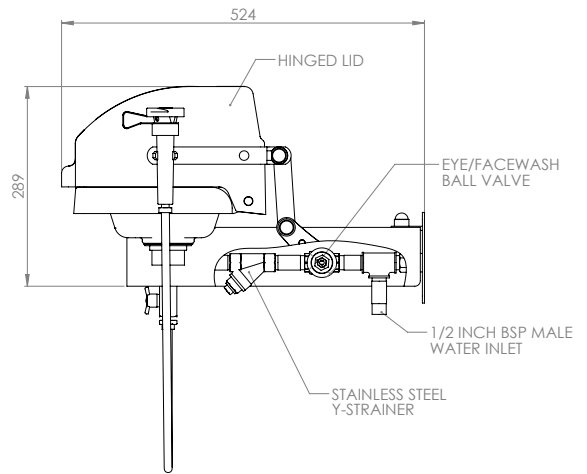
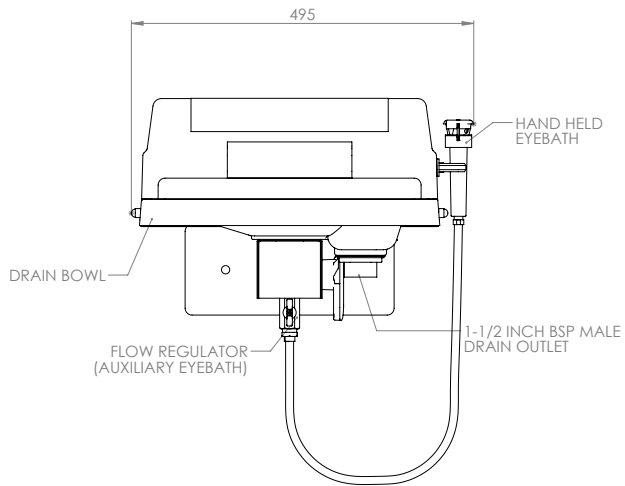
### Specifications

MATERIALS OF CONSTRUCTION	
BOWL/LID	ASA
DIFFUSERS	Chrome plated brass retaining ring, stainless steel filter mesh, plastic body
STANDARD FINISH	White with green pictogram sign
SERVICES	
WATER INLET	1/2" Male BSP
OPERATING PRESSURE	2.2 to 6 BAR G / 32 to 87 PSI (higher supply pressures accommodated with the incorporation of the optional pressure reducing valve)
MINIMUM FLOW RATES	Eye wash: 12 L per minute / 3 US gal per minute Handheld: 8 L per minute / 2 US gal per minute
AMBIENT OPERATING TEMPERATURE	
MINIMUM	5C / 41F
MAXIMUM	35C / 95F
OPERATION	
EYE/FACE WASH	Lift lid
HANDHELD	Activates when eye wash lid is operated
DIMENSIONS & WEIGHT	
DIMENSIONS (WxDxH)	495mm (19.4in) x 524mm (20.6in) x 289mm (11.4in)
WEIGHT	13kg / 29lb

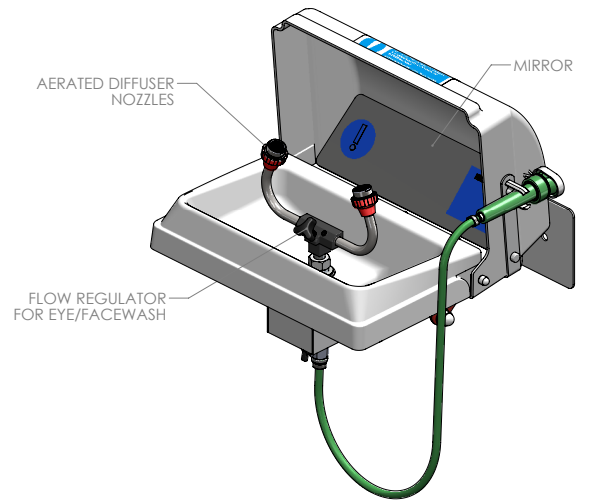
# General Arrangement Drawing

## Wall mounted ASA closed bowl eye wash with integral handheld shower

STD-25K



WALL MOUNTING DETAILS  
SCALE 1:5



ISOMETRIC VIEW  
(LID OPEN)