

## Pedestal mounted retractable 15M or 20M hose reel with optional heated and insulated jacket

STD-HR-15M/P(N1)  
 STD-HR-15M/P/J(N1)  
 STD-HR-20M/P(N1)  
 STD-HR-20M/P/J(N1)

This high performance spring rewind, pedestal mounted hose reel is ideal for washing down the area around a safety shower after decontamination, for clearing away chemical spillages or simply to aid in cleaning.

- Heated and insulated jacket offers frost protection for the colder months
- Heavy duty water gun with easy to use trigger operation
- Corrosion resistant stainless steel pedestal
- Fitted with 3/4 inch isolation valve at inlet



Shown next to tank shower with heated jacket

### Specifications

MATERIALS OF CONSTRUCTION	
PEDESTAL	Stainless steel
HOSE REEL	Heavy gauge mild steel with powder coated finish
HOSE	½ inch ID 20 BAR G
SERVICES	
WATER GUN	Heavy duty high-flow spray gun
LOCK MECHANISM	Multi-position ratchet lock with fully enclosed and lubricated spring
WATER INLET	3/4" ABS pipework 1 metre long with isolation valve and 3/4" drain valve
PRESSURE CONTROL	3/4" pressure reducing valve (to limit downstream pressure to 2 BAR G (29 psi))
MAXIMUM WATER PRESSURE	20 BAR G ( 290 psi)
DIMENSIONS & WEIGHT	
DIMENSIONS (WXDXH)	300mm x 1100mm x 1365mm
WEIGHT	30kg

### Heated and insulated jacket

#### Specifications

MATERIALS OF CONSTRUCTION	
OUTER FABRIC	UV stable PVC wrap
INSULATION	Closed cell foam insulation
INNER FABRIC	Silicone coated glass cloth
FASTENINGS	Velcro overlap
SERVICES	
ELECTRICAL EQUIPMENT	Trace-tape heated. Suitable for use in areas classified as non-hazardous.
ELECTRICAL SUPPLY	110v or 240v
TEMPERATURE CONTROL	Digital controlled thermostat housed in IP67 polycarbonate enclosure

# General Arrangement Drawing

## Pedestal mounted retractable 15M or 20M hose reel with optional heated and insulated jacket

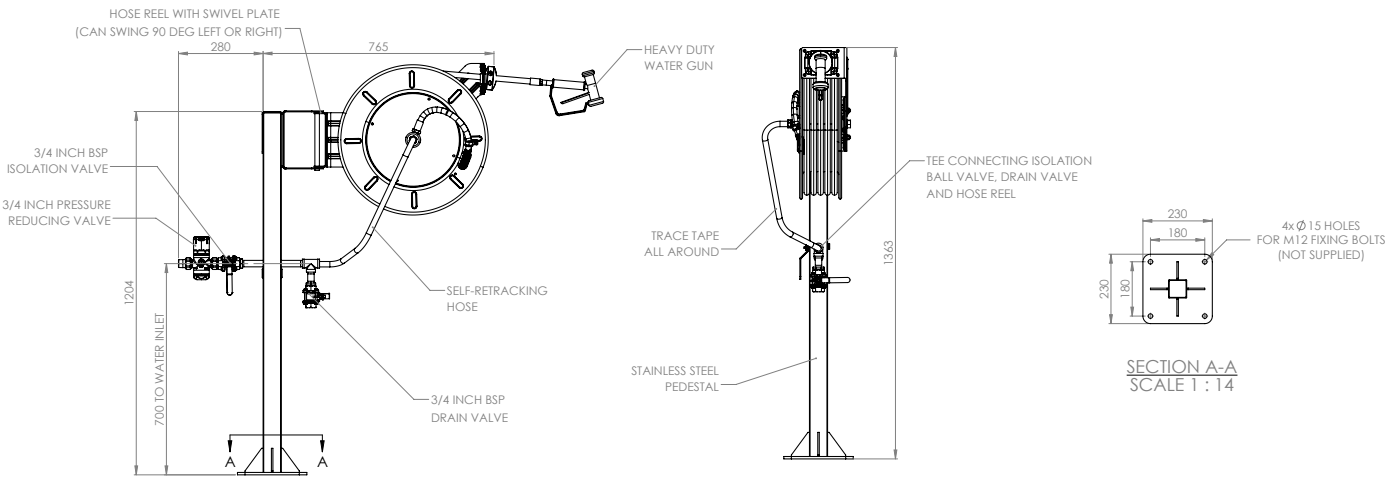
STD-HR-15M/P(N1)

STD-HR-15M/P/J(N1)

STD-HR-20M/P(N1)

STD-HR-20M/P/J(N1)

### Without jacket



### With jacket

