

Product Datasheet

GRP Ladder Platform

The GRP ladder platform is designed to be attached to a Hughes emergency tank shower to enable easy access to the tank for maintenance and inspection purposes. The platform offers increased safety for workers and removes the need to hire costly scaffolding when the emergency tank shower requires inspection or servicing.

- Slip resistant steps and caged ladder area for added peace of mind
- Can be mounted at the left, right or rear of the emergency tank shower



Specifications

MATERIALS OF CONSTRUCTION

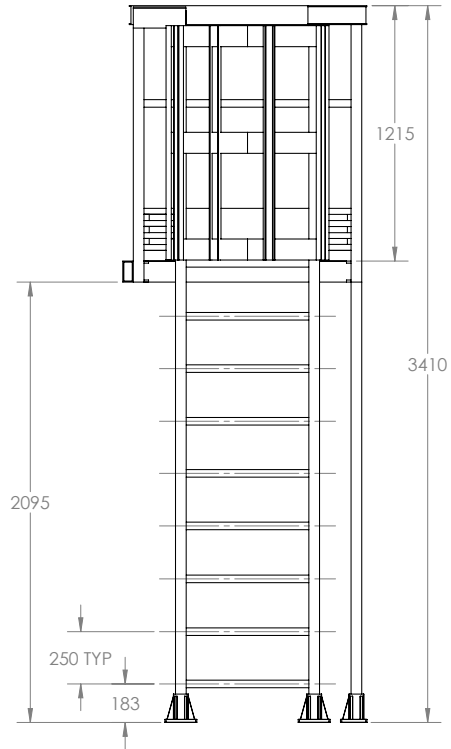
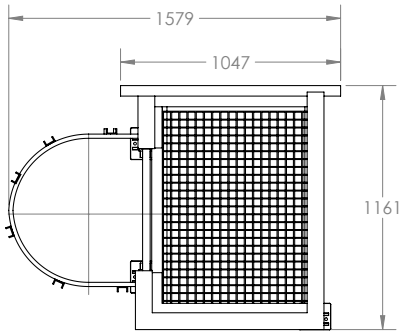
LADDER AND PLATFORM GRP (Glass Reinforced Plastic)

DIMENSIONS & WEIGHT

DIMENSIONS - STANDARD ORIENTATION (WxDxH)
350L tank shower - 1161mm (45.7in) x 1579mm (62.2in) x 3410mm (134.2in)
1500L tank shower - 1186mm (46.7in) x 1843mm (72.5in) x 3528mm (138.9in)

General Arrangement Drawing

350L



1500L

