

Product Datasheet

Unheated safety shower with body spray and ABS closed bowl eye wash

EXP-20G/45G
EXP-20GS/45G

A full body decontamination can be achieved with this emergency safety shower incorporating an integral body spray and eye/face wash unit. The eye wash benefits from chemical and UV resistance, as well as excellent durability due to the ABS construction. For additional direct rinsing the body spray is triggered when the safety shower is activated using the pull rod handle. Water flow rates and spray patterns meet the requirements stipulated in EN15154 and ANSI Z358.1-2014 standards.

Also available with a top water inlet.



Specifications

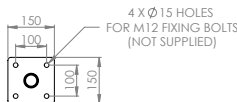
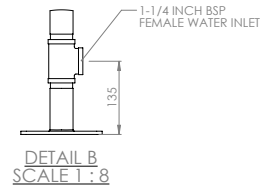
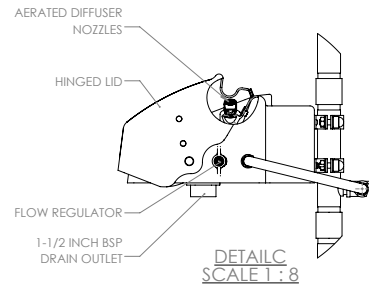
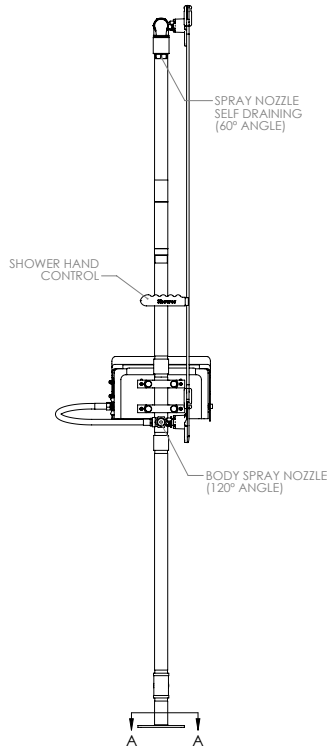
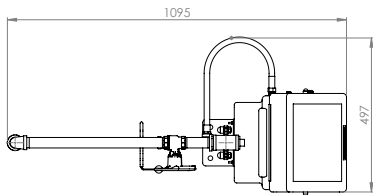
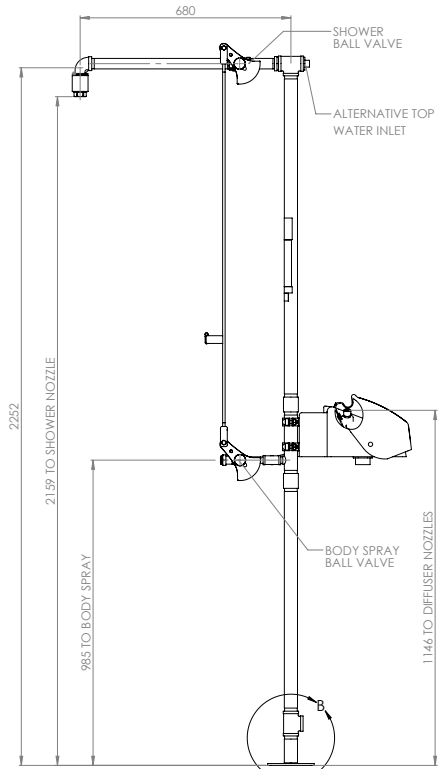
MATERIALS OF CONSTRUCTION	
PIPEWORK & FITTINGS	Stainless steel (GS) or galvanised mild steel (G)
OPERATING VALVE	Stainless-steel, full bore, stay open ball valve
SHOWER NOZZLE	Injection moulded nylon 6
BODY SPRAY	uPVC
EYE WASH	Acrylic capped ABS
EYE WASH DIFFUSERS	Chrome plated brass retaining ring, stainless steel filter mesh, plastic body
STANDARD FINISH	Polished brush (GS) or green powder coated (G)
SERVICES	
WATER INLET	1¼" female BSP
OPERATING PRESSURE	2 to 6 BAR G / 29 to 87 PSI (higher supply pressures accommodated with the incorporation of the optional pressure reducing valve)
MINIMUM FLOW RATES	Shower/body spray combined: 115 L per minute / 30 US gal per minute Eye wash: 12 L per minute / 3 US gal per minute
AMBIENT OPERATING TEMPERATURE	
MINIMUM	5C / 41F
MAXIMUM	35C / 95F
OPERATION	
SHOWER	Pull handle
EYE WASH	Pull lid down
DIMENSIONS & WEIGHT	
DIMENSIONS (WxDxH)	497mm (19.5in) x 1095mm (43.1in) x 2320mm (91.3in)
WEIGHT	20kg (44lb)

General Arrangement Drawing

Unheated safety shower with body spray and ABS closed bowl eye wash

EXP-20G/45G

EXP-20GS/45G



SECTION A-A